

SELF-PROPELLED STOCK PICKER

PARTS MANUAL

For ZDYT3-3.5T / ZDYT3-4.0T / ZDYT3-4.5T



WARNING

THE MANUFACTURER SHALL NOT BE HELD LIABLE IN CASE OF FAULTS OR ACCIDENTS DUE TO NEGLIGENCE, INCAPACITY, INSTALLATION BY UNQUALIFIED TECHNICIANS AND IMPROPER USE OF THE MACHINE

DO NOT OPERATE THIS MACHINE UNTIL YOU READ AND UNDERSTAND ALL THE DANGERS, WARNINGS AND CAUTIONS IN THIS MANUAL

Part Number: SM0708213

Version of the Record

Version Number	Create Date
SM0708213_Rev1.0	2008-07
SM0708213_Rev2.0	2010-05
SM0708213_Rev3.0	2012-12
SM0708213_Rev4.0	2014-10

Table of Contents

Section 1 Complete Machine

Figure 1-1 Complete Machine.....	1-1
Figure 1-2 Side Roller Assembly.....	1-4

Section 2 Chassis

Figure 2-1 Chassis and Outer Mast Assembly.....	2-1
Figure 2-2 Fixed Pulley Assembly.....	2-5
Figure 2-3 Movable Pulley Assembly.....	2-6
Figure 2-4 Control Electrical Assembly.....	2-7
Figure 2-5 Ground Control Panel Assembly.....	2-9

Section 3 Mast

Figure 3-1 Middle Mast Assembly.....	3-1
Figure 3-2 Inner Mast Assembly.....	3-3

Section 4 Platform

Figure 4-1 Platform Assembly.....	4-1
Figure 4-2 Platform Control Assembly.....	4-4

Section 5 Hydraulic System

Figure 5-1 Lift Cylinder Assembly.....	5-1
Figure 5-2 Hydraulic Hoses and Fittings.....	5-3

Section
1

Complete Machine

Figure 1-1 Complete Machine

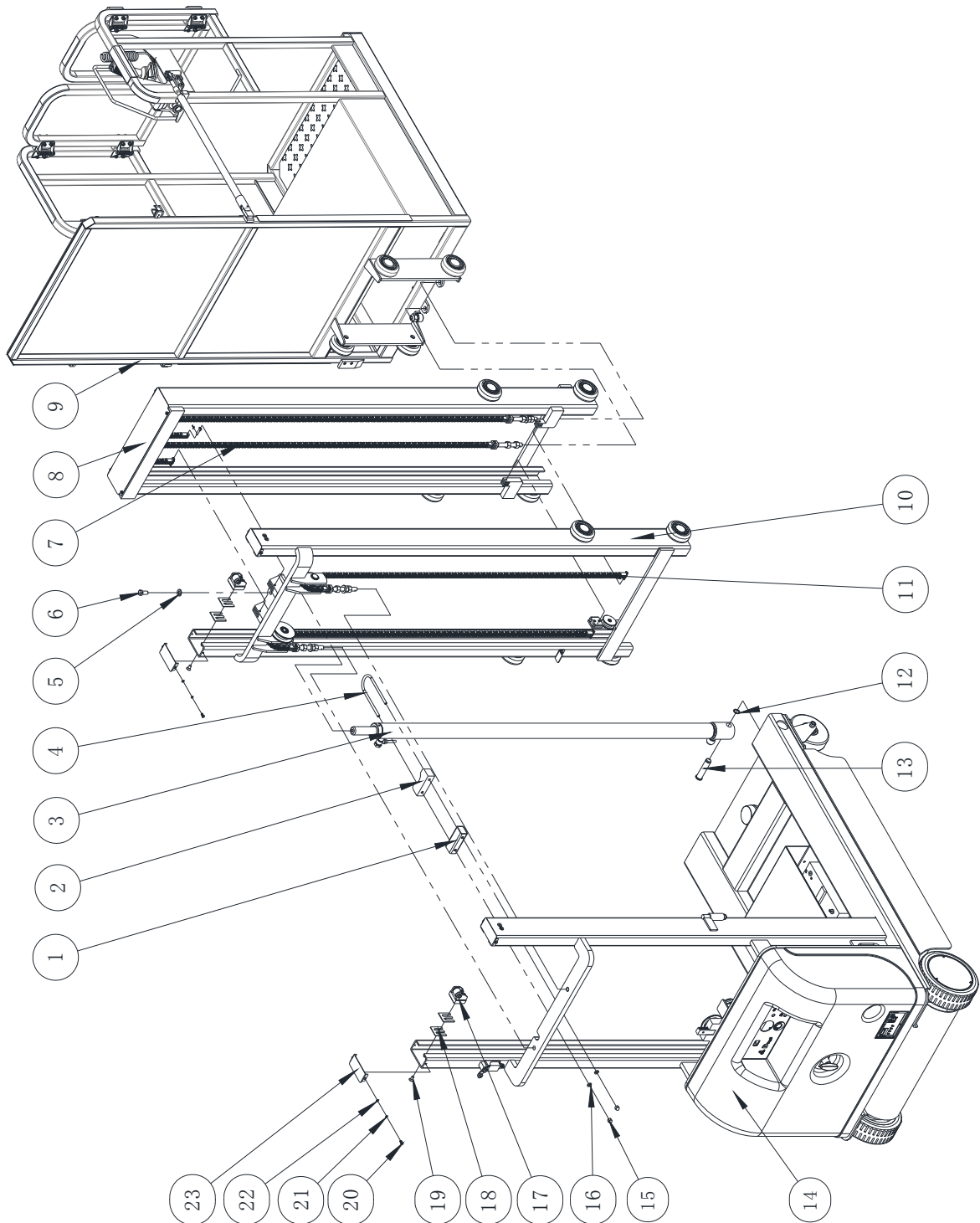


Figure 1-1 Complete Machine

Item	Part Number	Description	Qty.	Remark
1	ZDYT3-4.5T-182000	Cylinder seat weldment	1	
2	DYT2-3.7SW-100007	Cylinder seat	1	
3	ZDYT3-4.5T-502000	Lift cylinder assembly	1	ZDYT-4.5T
	ZDYT3-4.0T-502000		1	ZDYT-4.0T
	ZDYT3-3.5T-502000		1	ZDYT-3.5T
4	ZDYT3-4.5T-102007	Cylinder hoop	1	
5	GB/T 97.1-2002	Washer 12	1	
6	GB/T 5783-2000	Bolt M12x25	1	
7	ZDYT3-4.5T-382000	Chain	1	ZDYT-4.5T
	ZDYT3-4.0T-382000		1	ZDYT-4.0T
	ZDYT3-3.5T-382000		1	ZDYT-3.5T
8	ZDYT3-4.5T-332000	Inner mast assembly	1	ZDYT-4.5T
	ZDYT3-4.0T-332000		1	ZDYT-4.0T
	ZDYT3-3.5T-332000		1	ZDYT-3.5T
9	ZDYT3-4.5T-402000	Platform assembly	2	ZDYT-4.5T
	ZDYT3-4.0T-402000		2	ZDYT-4.0T
	ZDYT3-3.5T-402000		2	ZDYT-3.5T
10	ZDYT3-4.5T-322000	Middle mast assembly	1	ZDYT-4.5T
	ZDYT3-4.0T-322000		1	ZDYT-4.0T
	ZDYT3-3.5T-322000		1	ZDYT-3.5T
11	ZDYT3-4.5T-372000	Chain	1	ZDYT-4.5T
	ZDYT3-4.0T-372000		1	ZDYT-4.0T
	ZDYT3-3.5T-372000		1	ZDYT-3.5T
12	GB/T 894.1-1986	Circlips for shaft 20	1	
13	DYT2-3.7SW-100002	Axle	1	
14	ZDYT3-4.5T-102000	Chassis and outer mast assembly	1	ZDYT-4.5T
	ZDYT3-4.0T-102000		1	ZDYT-4.0T
	ZDYT3-3.5T-102000		1	ZDYT-3.5T
15	GB/T 802-1988	Nut M8	2	

Figure 1-1 Complete Machine

Item	Part Number	Description	Qty.	Remark
16	GB/T 97.1-2002	Washer 8	2	
17	ZDYT3-4.5T-172000	Side roller assembly	4	
18	DYT2-3.7SW-101005	Washer	8	
19	GB/T 819.1-2000	Screw M8×16-H	8	
20	GB/T 818-2000	Screw M5×8-H	8	
21	GB/T 93-1987	Spring washer 5	8	
22	GB/T 97.1-2002	Washer 5	8	
23	ZDYT3-4.5T-102004	Cover board	4	

Figure 1-2 Side Roller Assembly

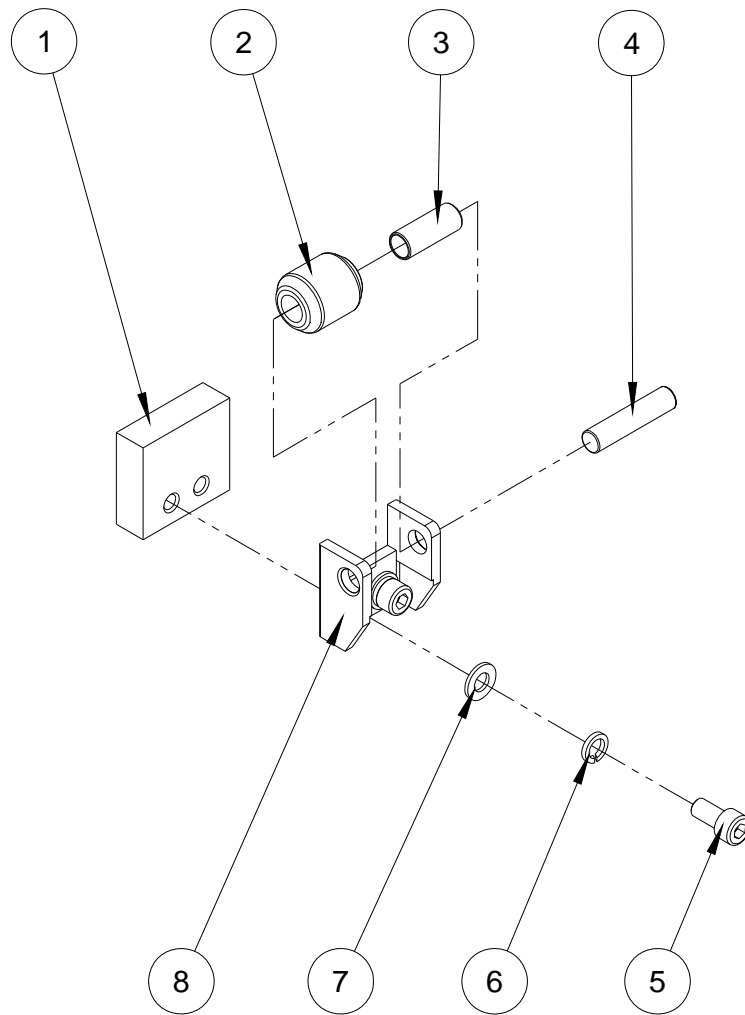


Figure 1-2 Side Roller Assembly

Item	Part Number	Description	Qty.	Remark
1	DYT2-3.7SW-101004	Connect block	1	
2	DYT2-3.7SW-101002	Side roller	1	
3	8812-101230	Bearing CSB-50 1030	1	
4	DYT2-3.7SW-101003	Axis	1	
5	GB/T 70.1-2000	Screw M8x16	2	
6	GB/T 93-1987	Spring washer 8	2	
7	GB/T 97.1-2002	Washer 8	2	
8	DYT2-3.7SW-101001	Support	1	

Chassis

Section 2

Figure 2-1 Chassis and Outer Mast Assembly

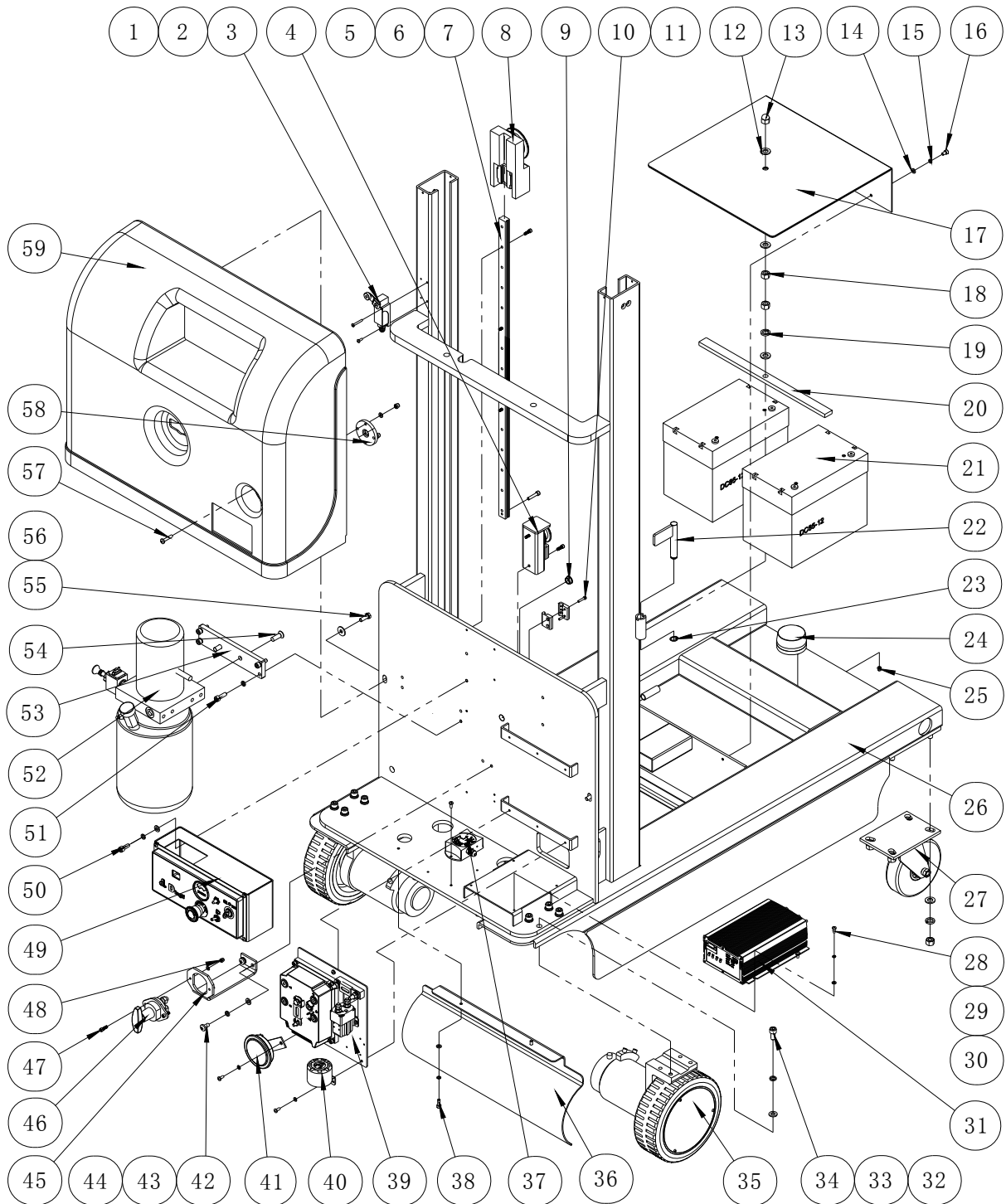


Figure 2-1 Chassis and Outer Mast Assembly

Item	Part Number	Description	Qty.	Remark
1	6909-0701200-02	Limit switch	2	
2	GB/T 818-2000	Screw M4×12-H	4	
3	GB/T 818-2000	Screw M4×30-H	4	
4	ZDYT3-4.5T-142000	Fixed pulley assembly	1	
5	EGW20SA-01	Guide rail	1	
6	GB/T 70.1-2000	Screw M5×16	5	
7	GB/T 70.1-2000	Screw M6×30	1	
8	ZDYT3-4.5T-132000	Movable pulley assembly	1	
9	JCPT5007MQ-110011	Shield sleeve	1	
10	GTWY8-320019	Single wire fixation	6	
11	GB/T 70.1-2000	Screw M4×20	6	
12	GB/T 97.1-2002	Washer 12	11	
13	GB/T 802-1988	Nut M12	1	
14	GB/T 97.1-2002	Washer 6	6	
15	GB/T 93-1987	Spring washer 6	4	
16	GB/T 70.1-2000	Screw M6×12	2	
17	ZDYT3-4.5T-162000	Cover	1	
18	GB/T 41-2000	Nut M12	10	
19	GB/T 93-1987	Spring washer 12	9	
20	ZDYT3-4.5T-102003	Bar	1	
21	6901-0312085-01	Battery	2	
22	ZDYT3-4.5T-122000	Protector	1	
23	GB/T 894.1-1986	Circlips for shaft 16	1	
24	6914-0200031-01	Beacon	1	
25	GB/T 6182-2000	Nut M5	6	
26	ZDYT3-4.5T-112000	Chassis and outer mast weldment	1	ZDYT-4.5T
	ZDYT3-4.0T-112000		1	ZDYT-4.0T
	ZDYT3-3.5T-112000		1	ZDYT-3.5T
27	ZDYT3-4.5T-152000	Caster	2	

Figure 2-1 Chassis and Outer Mast Assembly

Item	Part Number	Description	Qty.	Remark
28	GB/T 818-2000	Screw M5×12-H	8	
29	GB/T 93-1987	Spring washer 5	4	
30	GB/T 97.1-2002	Washer 5	10	
31	6901-0142411-01	Charger	1	
32	GB/T 70.1-2000	Screw M10×30	8	
33	GB/T 93-1987	Spring washer 10	8	
34	GB/T 97.1-2002	Washer 10	8	
35	HSXCQ-0.4H	Driving wheel	2	
36	ZDYT3-4.5T-102001	Cover for the drive motor	1	
37	6905-0200021-01	Tilt sensor	1	
38	GB/T 70.1-2000	Screw M6×16	2	
39	JCPT0807DC-711100	Control electrical assembly	1	
40	6915-0103000-02	Alarm	1	
41	6915-0203105-01	Horn	1	
42	GB/T 70.1-2000	Screw M8×20	2	
43	GB/T 93-1987	Spring washer 8	10	
44	GB/T 97.1-2002	Washer 8	6	
45	ZDYT3-4.5T-102005	Switch bracket	1	
46	6909-0600200-01	Power switch	1	
47	GB/T 70.1-2000	Screw M6×25	2	
48	GB/T 6182-2000	Nut M6	2	
49	AMWP8-1000-100100	Ground control panel assembly	1	
50	GB/T 70.1-2000	Screw M8×16	4	
51	GB/T 70.1-2000	Screw M8×25	4	
52	ZDYT3-4.5T-522000	Pumping station	1	
53	ZDYT3-4.5T-102002	Pumping station setting	1	
54	GB/T 819.1-2000	Screw M10×30-H	2	
55	GB/T 5783-2000	Bolt M8×25	2	
56	GB/T 96.1-2002	Washer 8	2	

Figure 2-1 Chassis and Outer Mast Assembly

Item	Part Number	Description	Qty.	Remark
57	GB/T 818-2000	Screw M5×30-H	4	
58	JCPT1212HD-121003	Half-round batten	2	
59	ZDYT3-4.5T-102006	Cover	1	

Figure 2-2 Fixed Pulley Assembly

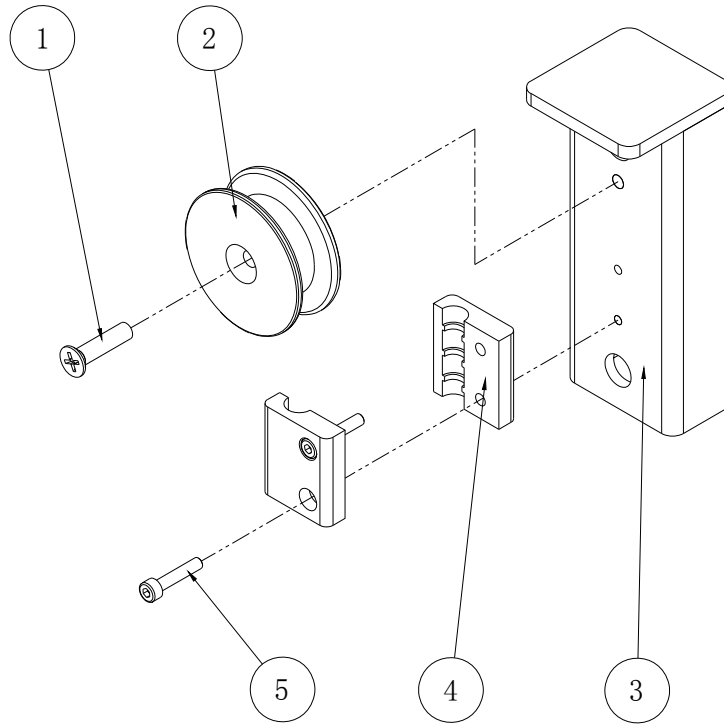
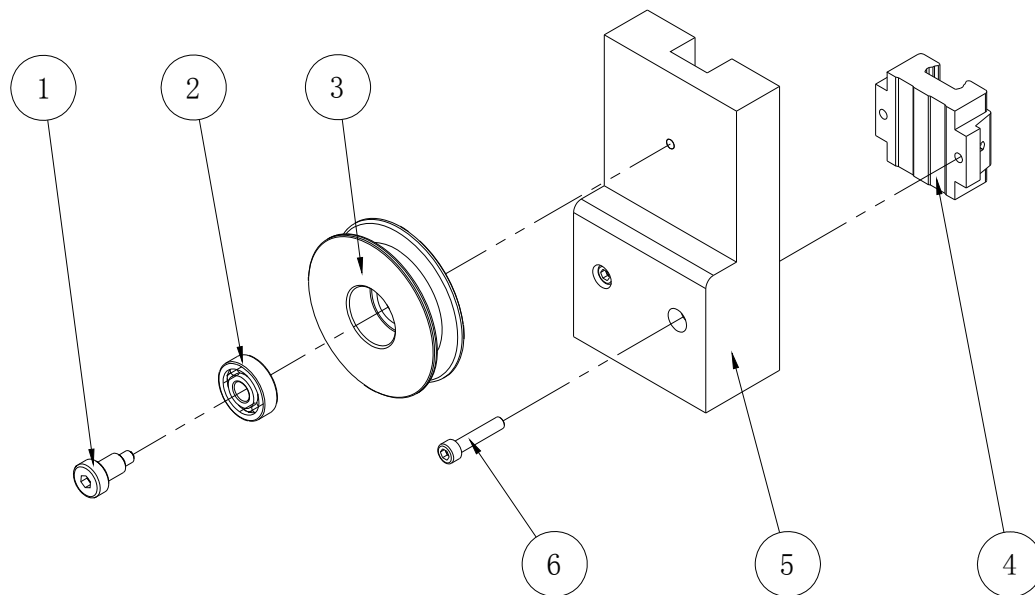


Figure 2-2 Fixed Pulley Assembly

Item	Part Number	Description	Qty.	Remark
1	GB/T 819.1-2000	Screw M6x25-H	1	
2	GTWY8-320013	Fixed pulley	1	
3	ZDYT3-4.5T-142100	Fixed pulley seat	1	
4	GTWY8-320019	Single wire fixation	2	
5	GB/T 70.1-2000	Screw M4x20	2	

Figure 2-3 Movable Pulley Assembly**Figure 2-3 Movable Pulley Assembly**

Item	Part Number	Description	Qty.	Remark
1	GTWY8-320007	Fixing bolt	1	
2	GB/T 276-1994	Bearing 6200	1	
3	GTWY8-320008	Movable pulley	1	
4	EGW20SA-02	Slipper	1	
5	ZDYT3-4.5T-132001	Movable pulley seat	1	
6	GB/T 70.1-2000	Screw M6×20	2	

Figure 2-4 Control Electrical Assembly

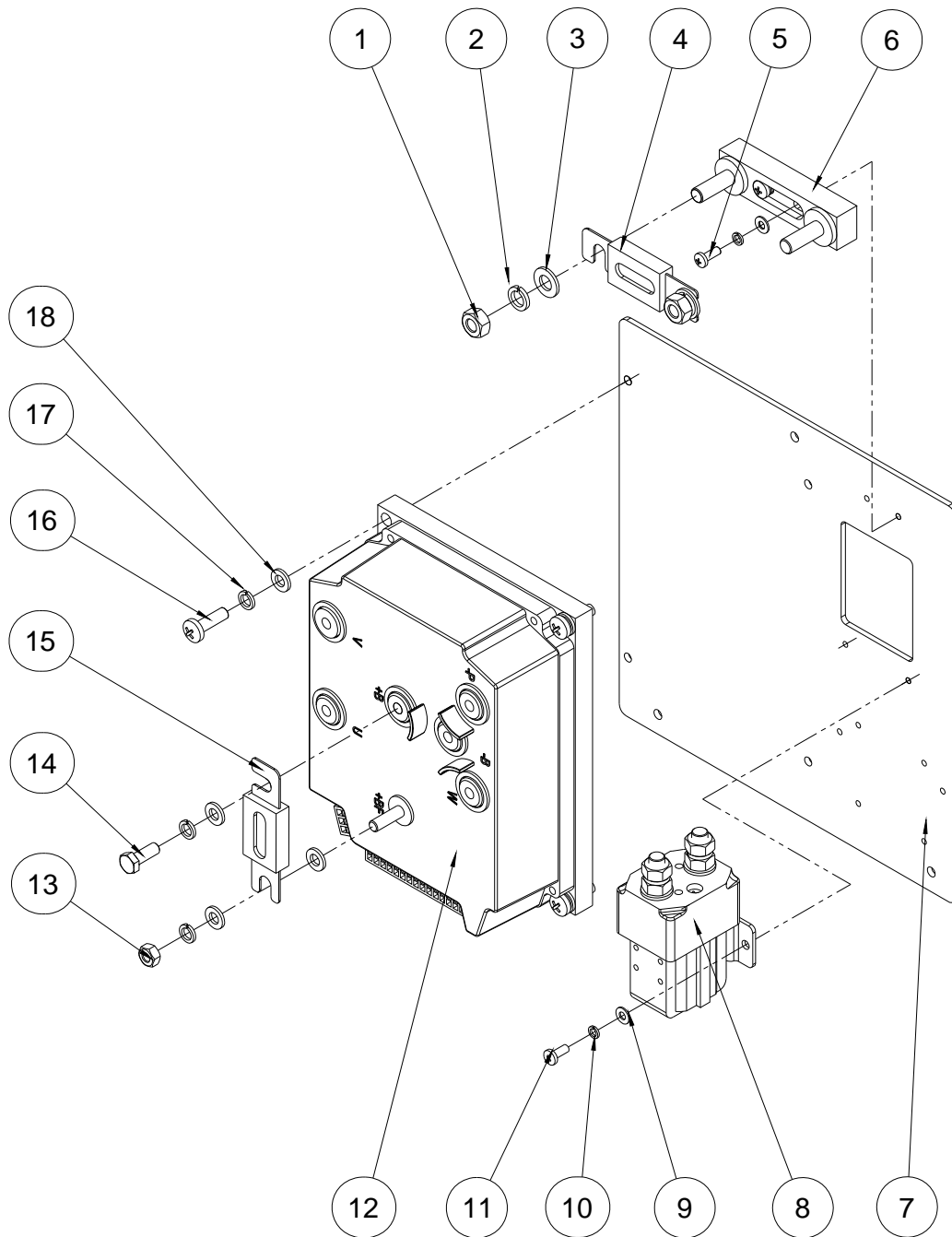


Figure 2-4 Control Electrical Assembly

Item	Part Number	Description	Qty.	Remark
1	GB/T 6170-2000	Nut M8	2	
2	GB/T 93-1987	Spring washer 8	2	
3	GB/T 97.1-2002	Washer 8	2	
4	6906-5102150-01	Fuse	1	
5	GB/T 818-2000	Screw M4x16-H	2	
6	6906-9100002-01	Fuse seat	1	
7	JCPT0807DC-711101	Seat	1	
8	6906-0303100-01	DC contactor	1	
9	GB/T 97.1-2002	Washer 4	4	
10	GB/T 93-1987	Spring washer 4	4	
11	GB/T 818-2000	Screw M4x10-H	2	
12	6904-0204280-01	Drive controller	1	
13	GB/T 6170-2000	Nut M6	1	
14	GB/T 5783-2000	Bolt M6x16	1	
15	6906-5102350-01	Fuse	1	
16	GB/T 818-2000	Screw M6x16	4	
17	GB/T 93-1987	Spring washer 6	6	
18	GB/T 97.1-2002	Washer 6	7	

Figure 2-5 Ground Control Panel Assembly

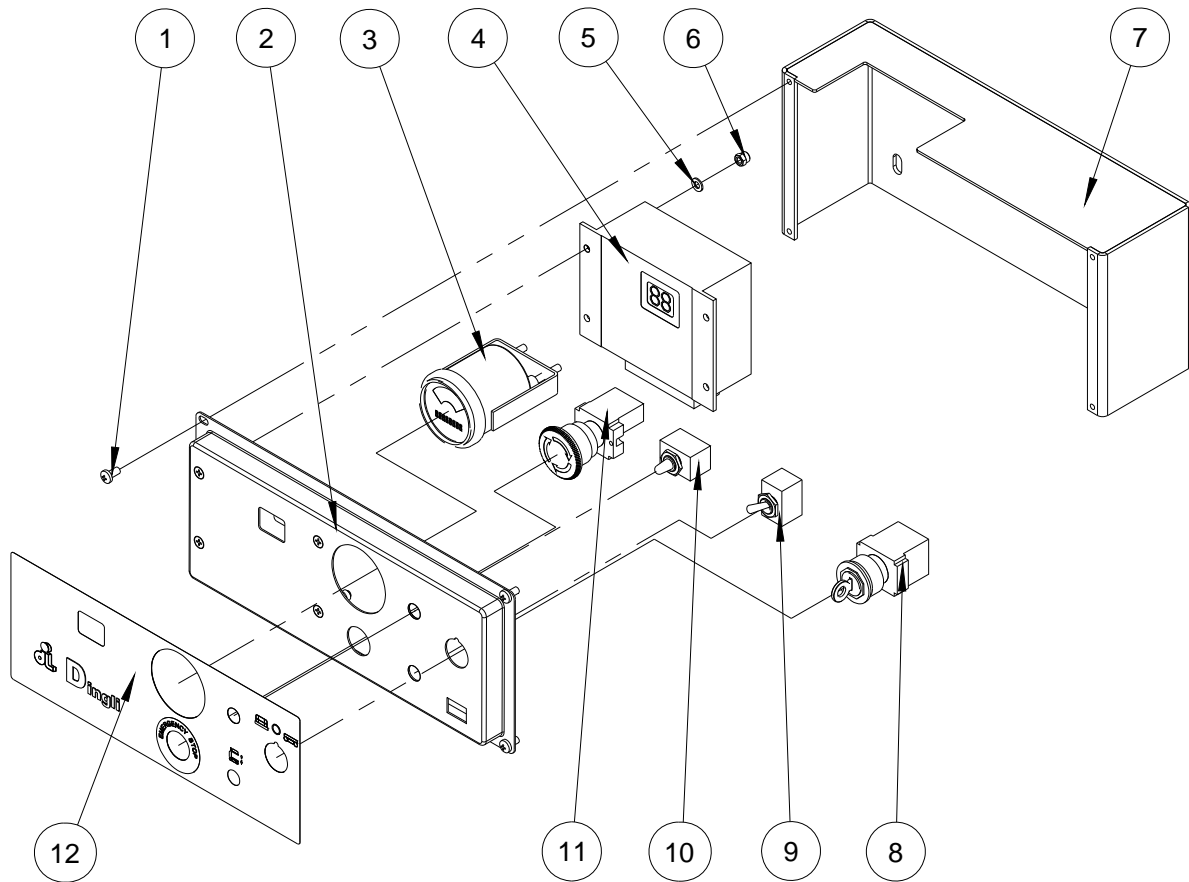


Figure 2-5 Ground Control Panel Assembly

Item	Part Number	Description	Qty.	Remark
1	GB/T 818-2000	Screw M5x10-H	4	
2	AMWP8-1100-100110	Control panel weldment	1	
3	6908-0100103-01	HourMeter	1	
4	6904-0102002-02	ECU	1	
5	GB/T 97.1-2002	Washer 5	4	
6	GB/T 6182-2000	Nut M5	4	
7	AMWP8-1100-100120	Ground control box	1	
8	6909-0400032-01	Key switch	1	
9	6909-0100322-02	Select switch	1	
10	6906-5103007-01	Fuse	1	
11	6909-0501140-01	Emergency stop switch	1	
12	9121017	Decal	1	

Mast

Section 3

Figure 3-1 Middle Mast Assembly

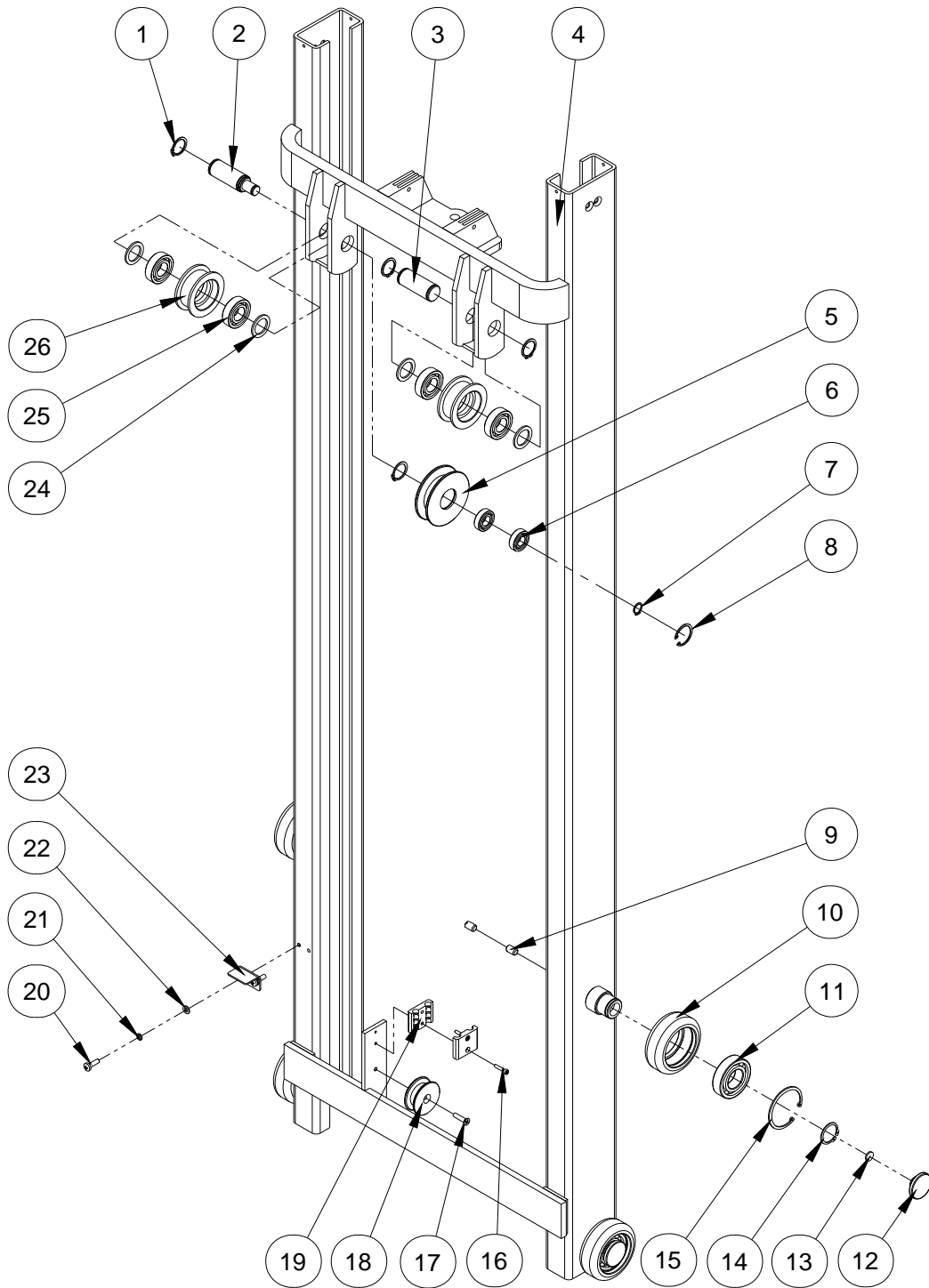


Figure 3-1 Middle Mast Assembly

Item	Part Number	Description	Qty.	Remark
1	GB/T 894.1-1986	Circlips for shaft 25	4	
2	DYT2-4.5S-350002	Axle	1	
3	DYT2-4.5S-340003	Axle	1	
4	ZDYT3-4.5T-322100	Middle mast weldment	1	ZDYT-4.5T
	ZDYT3-4.0T-322100		1	ZDYT-4.0T
	ZDYT3-3.5T-322100		1	ZDYT-3.5T
5	DYT2-3.7SW-325004	Roller	1	
6	GB/T 276-1994	Bearing 6002	2	
7	GB/T 894.1-1986	Circlips for shaft 15	1	
8	GB/T 893.1-1986	Circlips for holes 32	1	
9	GB/T 73-1985	Screw M10×16	8	
10	ZDYT3-4.5T-322201	Roller	4	
11	GB/T 276-1994	Bearing 6206	4	
12	DYT2-3.7SW-412002	Side piece	4	
13	DYT2-3.7SW-412003	Washer	4	
14	GB/T 894.1-1986	Circlips for shaft 30	4	
15	GB/T 893.1-1986	Circlips for holes 62	4	
16	GB/T 70.1-2000	Screw M4×20	2	
17	GB/T 819.1-2000	Screw M6×25-H	1	
18	GTWY8-320013	Pulley	1	
19	GTWY8-320009	Wire fixation	2	
20	GB/T 818-2000	Screw M6×20-H	2	
21	GB/T 93-1987	Spring washer 6	2	
22	GB/T 97.1-2002	Washer 6	2	
23	ZDYT3-4.5T-322002	Limiting plate	1	
24	ZDYT3-4.5T-322001	Spacer sleeve	4	
25	GB/T 276-1994	Bearing 6005Z	4	
26	DYT2-4.5S-340001	Sprocket wheel	2	

Figure 3-2 Inner Mast Assembly

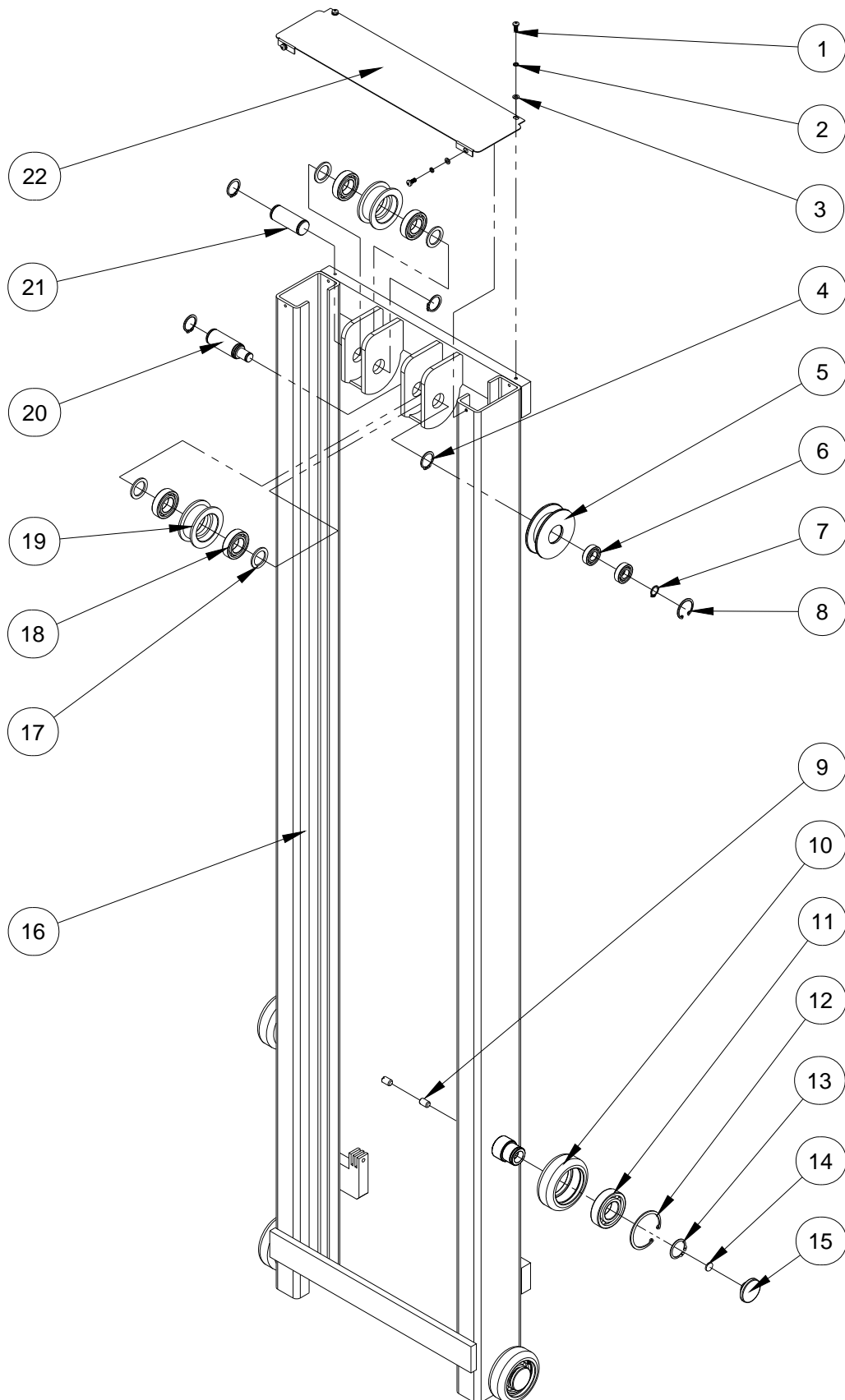


Figure 3-2 Inner Mast Assembly

Item	Part Number	Description	Qty.	Remark
1	GB/T 818-2000	Screw M5×12-H	4	
2	GB/T 93-1987	Spring washer 5	4	
3	GB/T 97.1-2002	Washer 5	4	
4	GB/T 894.1-1986	Circlips for shaft 25	4	
5	DYT2-3.7SW-325004	Roller	1	
6	GB/T 276-1994	Bearing 6002	2	
7	GB/T 894.1-1986	Circlips for shaft 15	1	
8	GB/T 893.1-1986	Circlips for holes 32	1	
9	GB/T 73-1985	Screw M10×16	8	
10	ZDYT3-4.5T-322201	Roller	4	
11	GB/T 276-1994	Bearing 6206	4	
12	GB/T 893.1-1986	Circlips for holes 62	4	
13	GB/T 894.1-1986	Circlips for shaft 30	4	
14	DYT2-3.7SW-412003	Washer	4	
15	DYT2-3.7SW-412002	Side piece	4	
16	ZDYT3-4.5T-332100	Inner mast weldment	1	ZDYT-4.5T
	ZDYT3-4.0T-332100		1	ZDYT-4.0T
	ZDYT3-3.5T-332100		1	ZDYT-3.5T
17	ZDYT3-4.5T-322001	Spacer sleeve	4	
18	GB/T 276-1994	Bearing 6005Z	4	
19	DYT2-4.5S-340001	Sprocket wheel	2	
20	DYT2-4.5S-350002	Axle	1	
21	DYT2-4.5S-340003	Axle	1	
22	ZDYT3-4.5T-332001	Cover	1	

Platform

Section 4

Figure 4-1 Platform Assembly

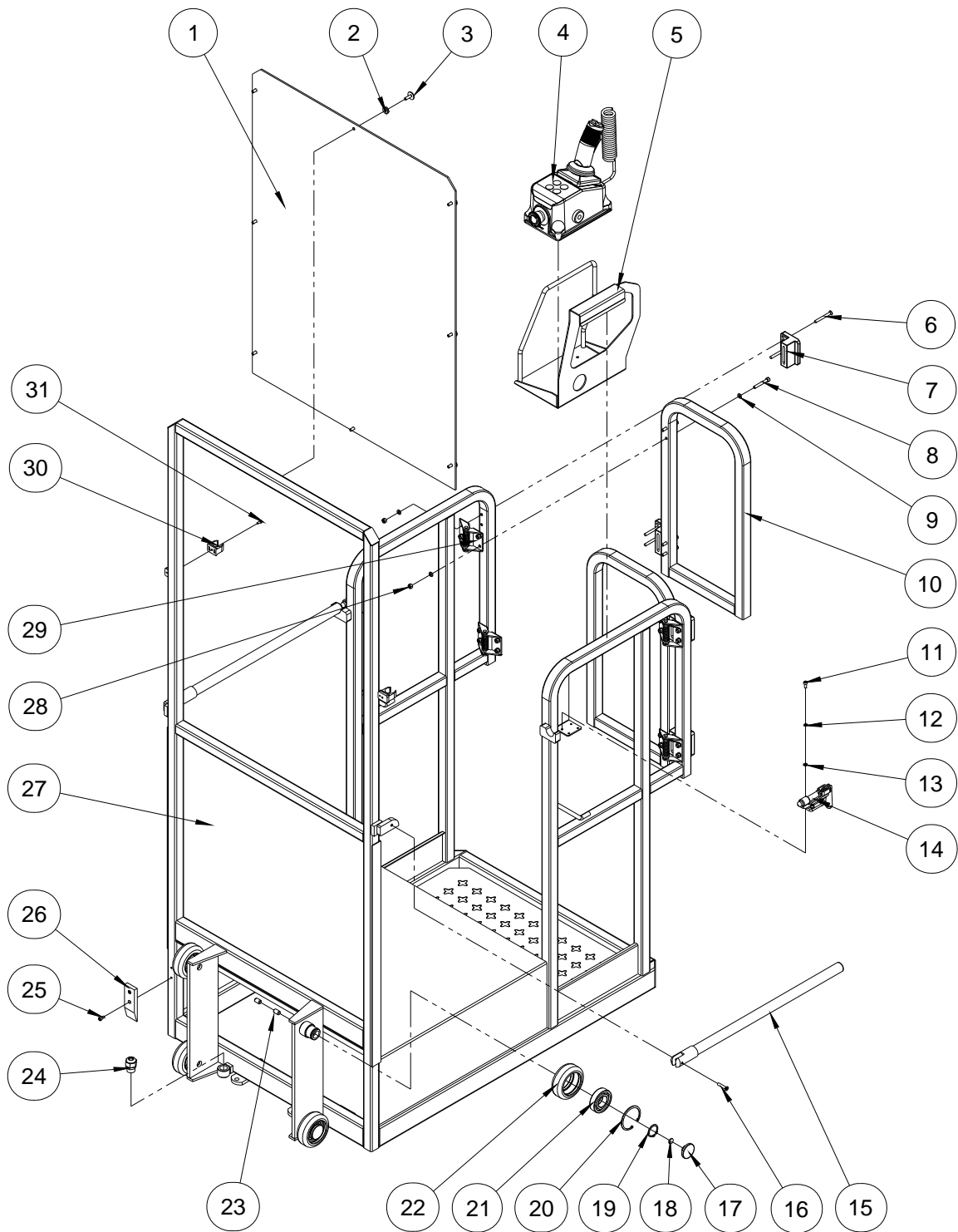


Figure 4-1 Platform Assembly

Item	Part Number	Description	Qty.	Remark
1	ZDYT3-3.5T-402001	Protecting screen	1	ZDYT-3.5T
	ZDYT3-4.0T-402001		1	ZDYT-4.0T
	ZDYT3-4.5T-402001		1	ZDYT-4.5T
2	AMWP8-1000-100103	Rubber washer	6	ZDYT-3.5T
			8	ZDYT-4.0T/4.5T
3	AMWP8-1000-100104	Screw	6	ZDYT-3.5T
			8	ZDYT-4.0T/4.5T
4	JCPT0507DC-720100	Platform control assembly	1	
5	TYSBZ-001	Platform control box mount bracket	1	
6	GB/T 819.2-1997	Screw M6x55-H1	8	
7	DYT2-3.7SW-410002	Limiting block	4	
8	GB/T 70.1-2000	Screw M6x45	8	
9	GB/T 97.1-2000	Washer 6	24	
10	ZDYT3-4.5T-442000	Turning door	2	
11	GB/T 70.1-2000	Screw M5x12	8	
12	GB/T 93-1987	Spring washer 5	8	
13	GB/T 97.1 -2000	Washer 5	8	
14	DYT2-3.7SW-416000	Pin locker	2	
15	ZDYT3-4.5T-432000	Guard bar	2	
16	GB/T 819.1-2000	Screw M6x30-H	2	
17	DYT2-3.7SW-412002	Side piece	4	
18	DYT2-3.7SW-412003	Washer	4	
19	GB/T 894.1-1986	Circlips for shaft 30	4	
20	GB/T 893.1-1986	Circlips for holes 62	4	
21	GB/T 276-1994	Bearing 6206	4	
22	ZDYT3-4.5T-322201	Roller	4	
23	GB/T 73-1985	Screw M10x16	8	
24	6912-0200020-01	Water-proof Joint M20x1.5	1	
25	GB/T 70.1-2000	Screw M5x10	2	

Figure 4-1 Platform Assembly

Item	Part Number	Description	Qty.	Remark
26	ZDYT3-3.5-402002	Chock	1	
27	ZDYT3-3.5T-412000	Platform weldment	1	ZDYT-3.5T
	ZDYT3-4.0T-412000		1	ZDYT-4.0T
	ZDYT3-5.5T-412000		1	ZDYT-4.5T
28	GB/T 41-2000	Nut M6	16	
29	TYHY6957-8020	Hinge	4	
30	TYYGJ25	Pipe clip	2	
31	GB/T 818-2000	Screw M4×10-H	2	

Figure 4-2 Platform Control Assembly

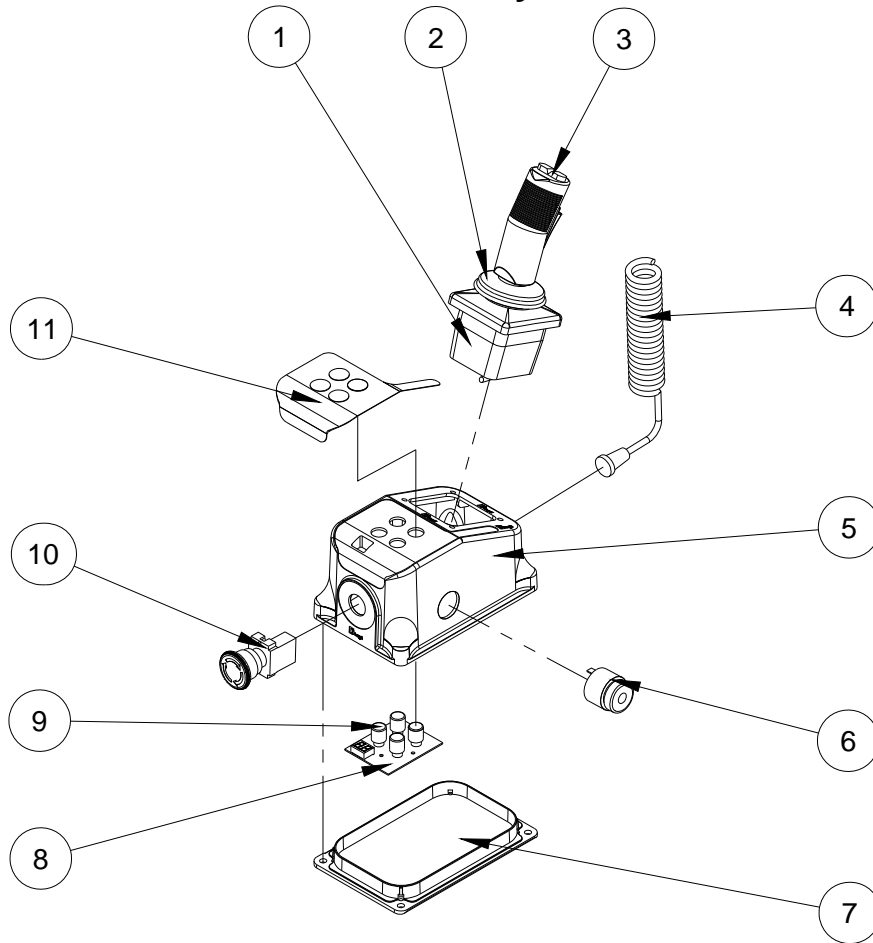


Figure 4-2 Platform Control Assembly

Item	Part Number	Description	Qty.	Remark
1	JCPT0507DC-720120	Joystick	1	
2	JCPT1212HD-720101	Dustproof cover	1	
3	JCPT1212HD-720120	Switch boot	1	
4	JCPT1212HD-720130	Coil cord	1	
5	JCPT1212HD-720141	Platform control box	1	
6	JCPT1212HD-720102	Alarm	1	
7	JCPT1212HD-720141	Platform control box bottom	1	
8	JCPT0507DC-720130	PC board	1	
9	JCPT1212HD-720103	Button	4	
10	JCPT1212HD-720160	Emergency stop switch	1	
11	9114017	Decal	1	

Section
5

Hydraulic System

Figure 5-1 Lift Cylinder Assembly

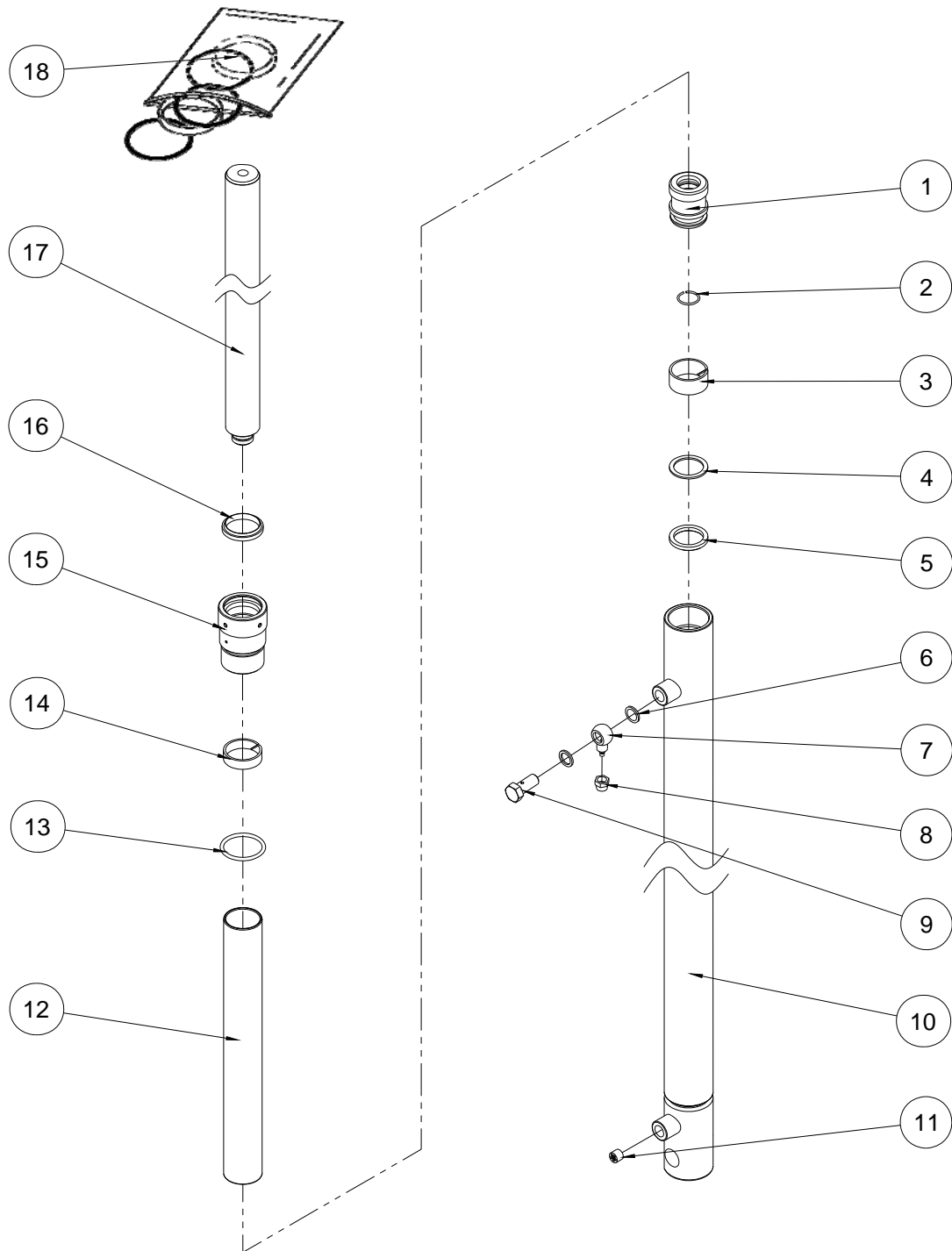


Figure 5-1 Lift Cylinder Assembly

Item	Part Number	Description	Qty.	Remark
1	ZJ-DL-OPK-04	Piston	1	
2	GB/T 895.2-1986	Circle 25	1	
3	20x2.5	Supporting loop	1	
4	DQ35x45x2	Circle	1	
5	USH 35	Pressurize loop	1	
6	JB/T 982-1977	Washer 14	1	
7	TYGJT-402	Adapter seat	1	
8	TYGJT-302	Adapter nut	1	
9	TYGJT-401	Hose bolt	1	
10	ZJ-DL-OPK-04 (1472)	Cylinder	1	ZDYT3-4.5T
	ZJ-DL-OPK-04 (1302)		1	ZDYT3-4.0T
	ZJ-DL-OPK-04 (1142)		1	ZDYT3-3.5T
11	5806-01000300-01	Explosion-safe valve	1	
12	ZJ-DL-OPK-04 (54)	Bushing	1	ZDYT3-4.5T
	ZJ-DL-OPK-04 (49)		1	ZDYT3-4.0T
	ZJ-DL-OPK-04 (54)		1	ZDYT3-3.5T
13	GB/T 3452.1-2005	O ring 30x3.1	1	
14	12x2.5	Supporting loop 12x2.5	1	
15	ZJ-DL-OPK-06	Guide loop	1	
16	DH 30	Dustproof circle	1	
17	ZJ-DL-OPK-07 (1541)	Piston rod	1	ZDYT3-4.5T
	ZJ-DL-OPK-07 (1371)		1	ZDYT3-4.0T
	ZJ-DL-OPK-07 (1201)		1	ZDYT3-3.5T
18	ZJ-DL-OPK-00	Seal kit	1	

Figure 5-2 Hydraulic Hoses and Fittings

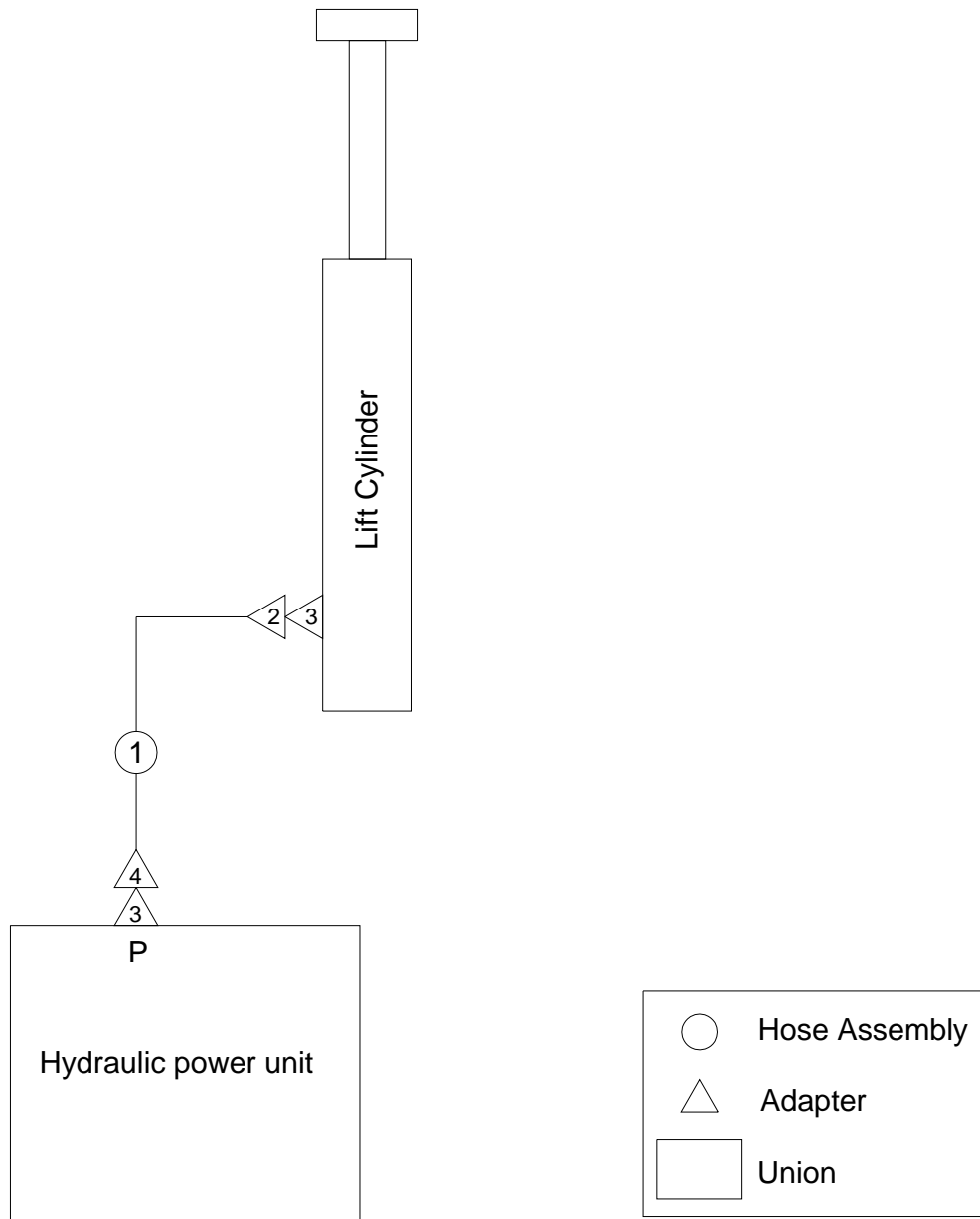


Figure 5-2 Hydraulic Hoses and Fittings

Item	Part Number	Description	Qty.	Remark
1	2SN08-70011-16-05-1100	Upper lift cylinder hose assembly	1	
2	700M-16	Hose bolt	1	
3	JB/T 982-1977	Washer 16	4	
4	720B-06	Hose bolt	1	